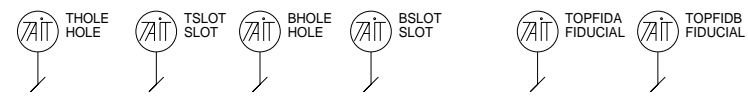


PL100  
15 WAY R-ANGLE DRANGE PLUG



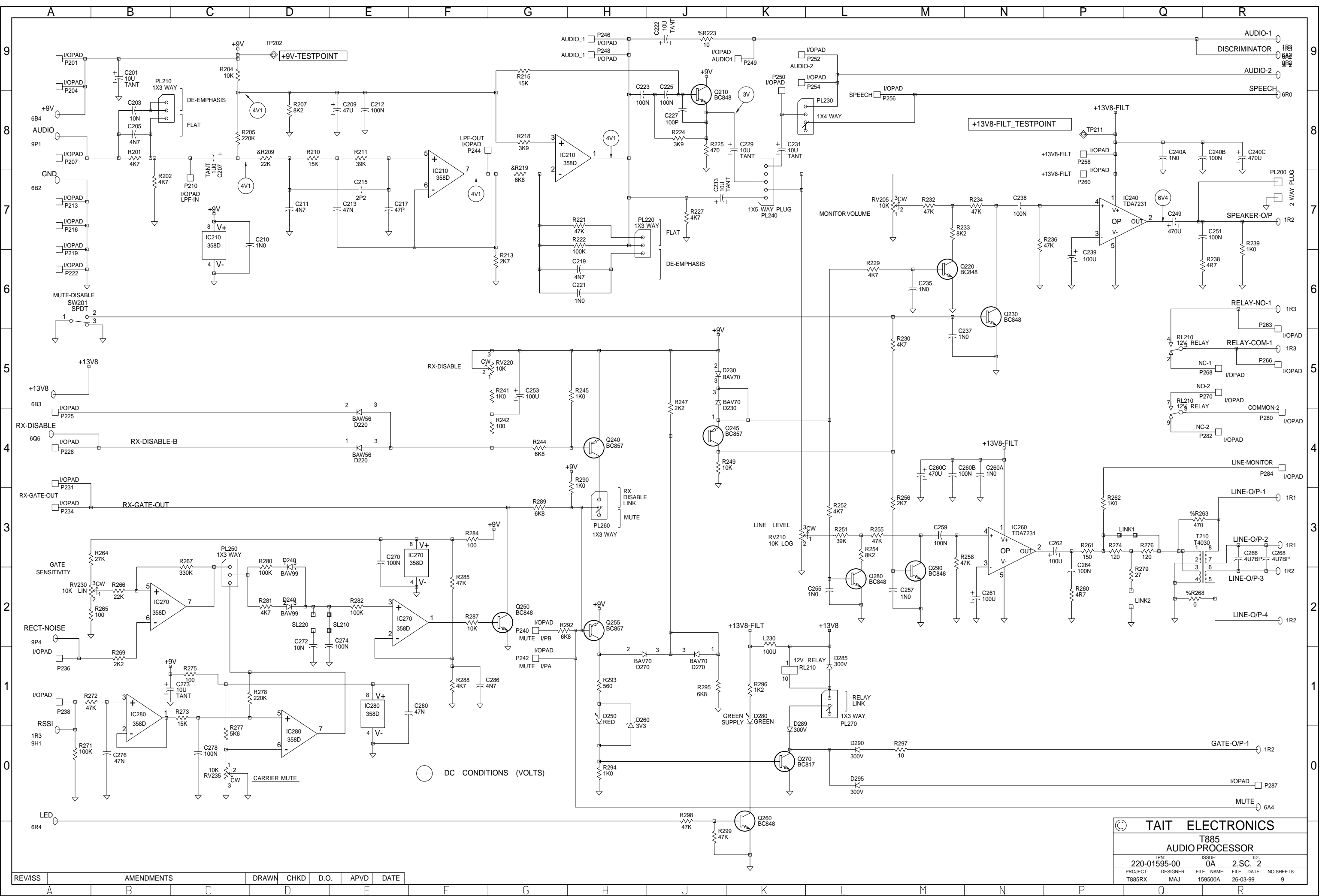
VARIANT INDICATORS								
-10	-13	-15	-20	-23	-25	-	-	-
T88510 2K2	T88513 2K2	T88515 2K2	T88520 2K2	T88523 2K2	T88525 2K2	T885- 2K2	T885 2K2	T885- 2K2

DGND & GND ARE CONNECTED THROUGH R617 ON SHEET 6

© TAIT ELECTRONICS  
T885 RECEIVER

IPN: 220-01595-00	ISSUE: 0A	ID: 2.S.C. 1
PROJECT: T885RX	DESIGNER: MAJ	FILE NAME: 159500A
FILE DATE: 26-03-99	NO. SHEETS: 9	

0A	ORIGINAL	MAJ				01-03-99
REV/ISS	AMENDMENTS	DRAWN	CHKD	D.O.	APVD	DATE

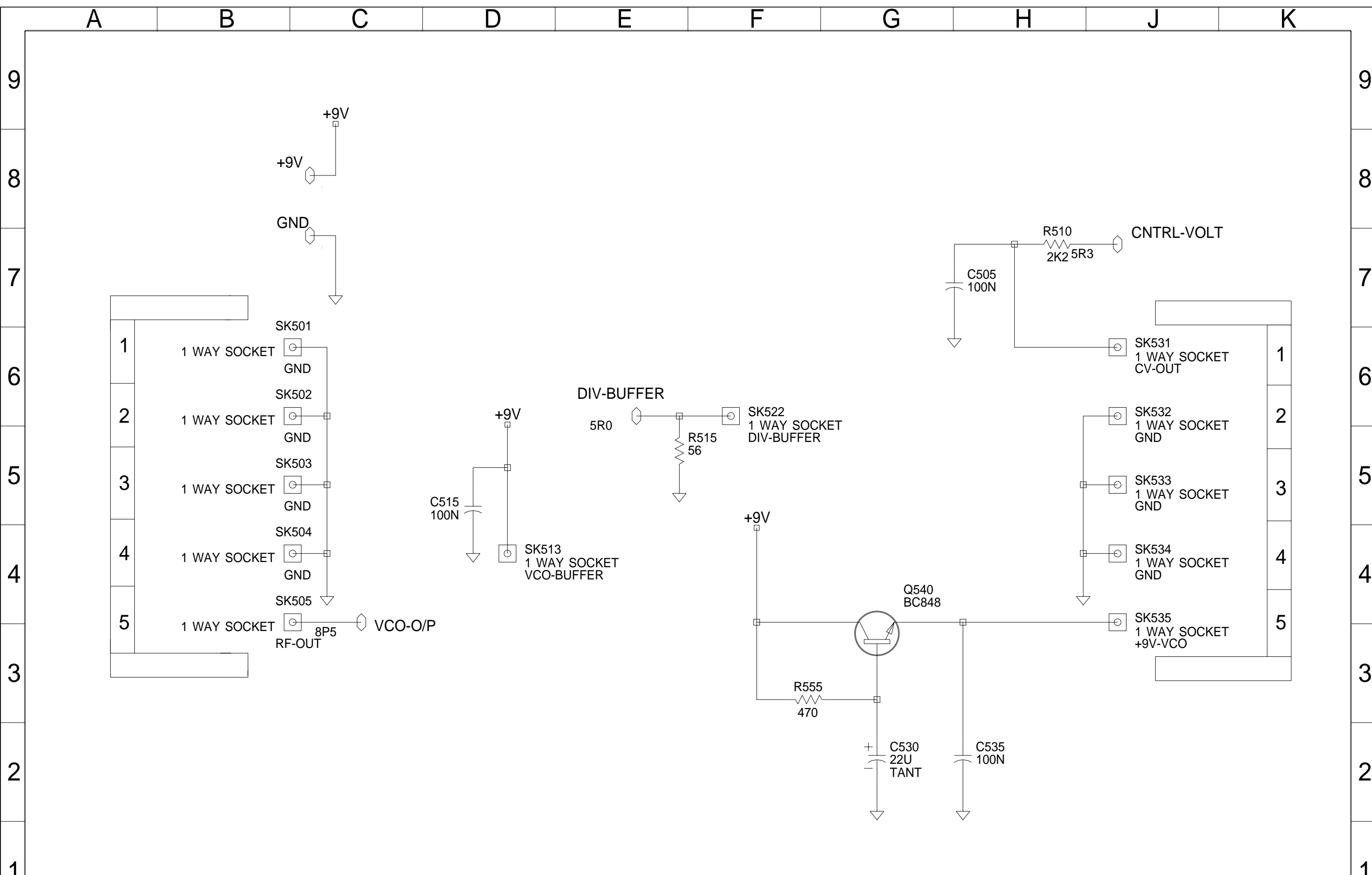


© TAIT ELECTRONICS

T885  
AUDIO PROCESSOR

IPN: 220-01595-00	ISSUE: 0A	ID: 2.S.C. 2
PROJECT: T885RX	DESIGNER: MAJ	FILE NAME: 159500A
FILE DATE: 26-03-99	NO. SHEETS: 9	

REV/ISS	AMENDMENTS	DRAWN	CHKD	D.O.	APVD	DATE
A						
B						
C						
D						
E						
F						
G						
H						
J						
K						
L						
M						
N						
P						
Q						
R						

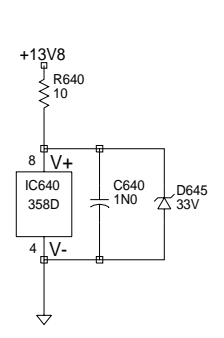
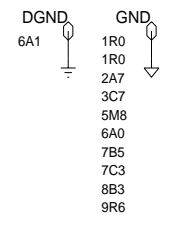
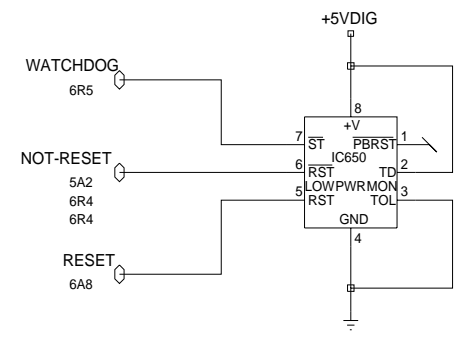
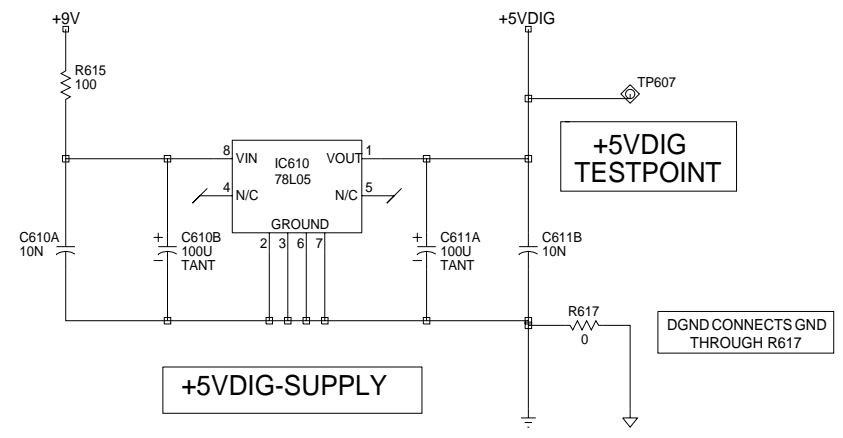
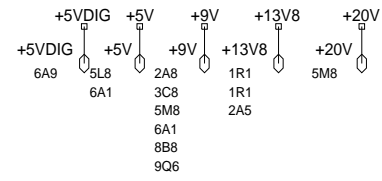


© TAIT ELECTRONICS

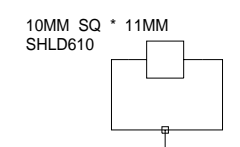
T885  
VCO

IPN: 220-01595-00	ISSUE: 0A	ID: 2.SC. 3
PROJECT: T885RX	DESIGNER: MAJ	FILE NAME: 159500A
FILE DATE: 26-03-99	NO.SHEETS: 9	

REV/ISS	AMENDMENTS	DRAWN	CHKD	D.O.	APVD	DATE

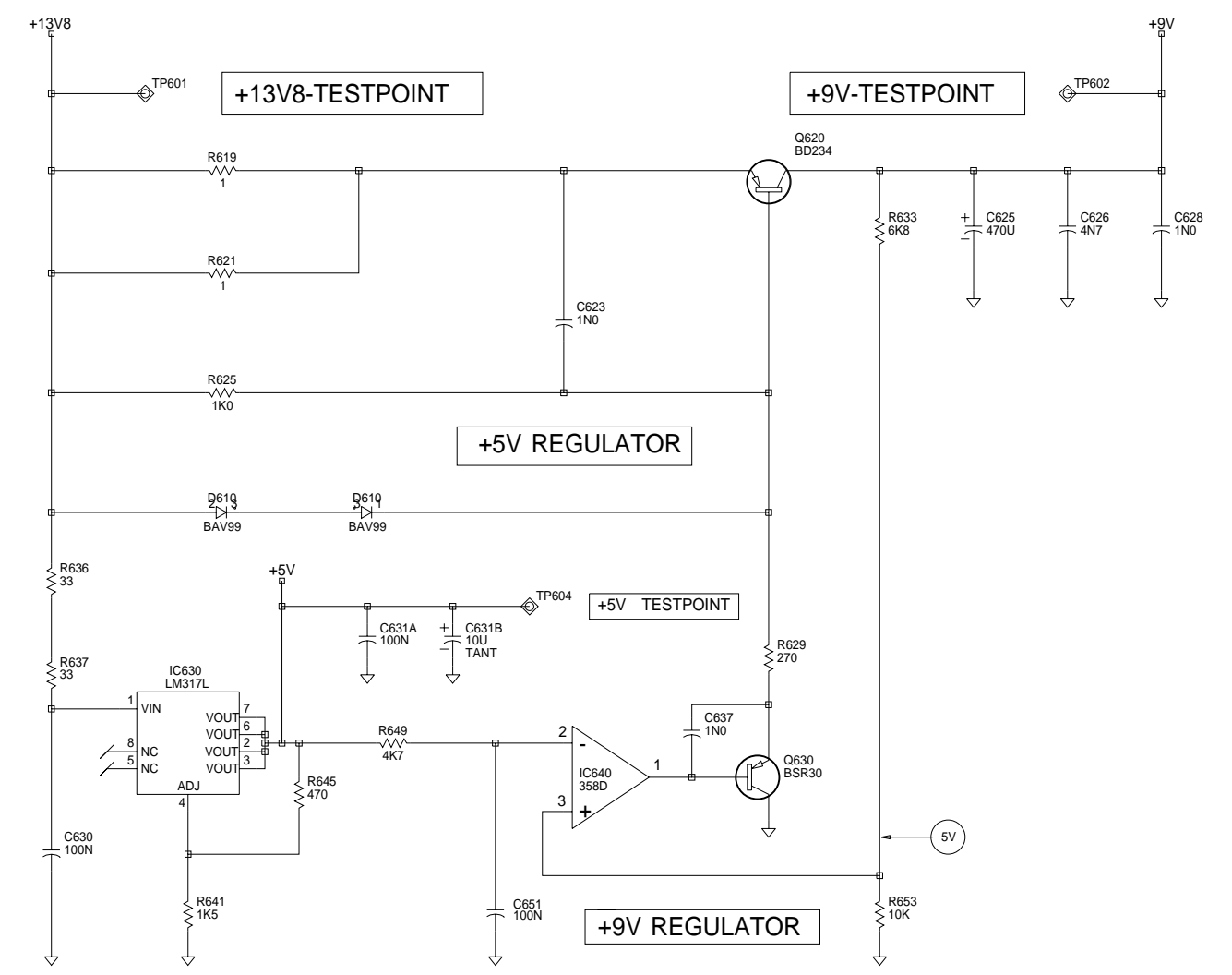
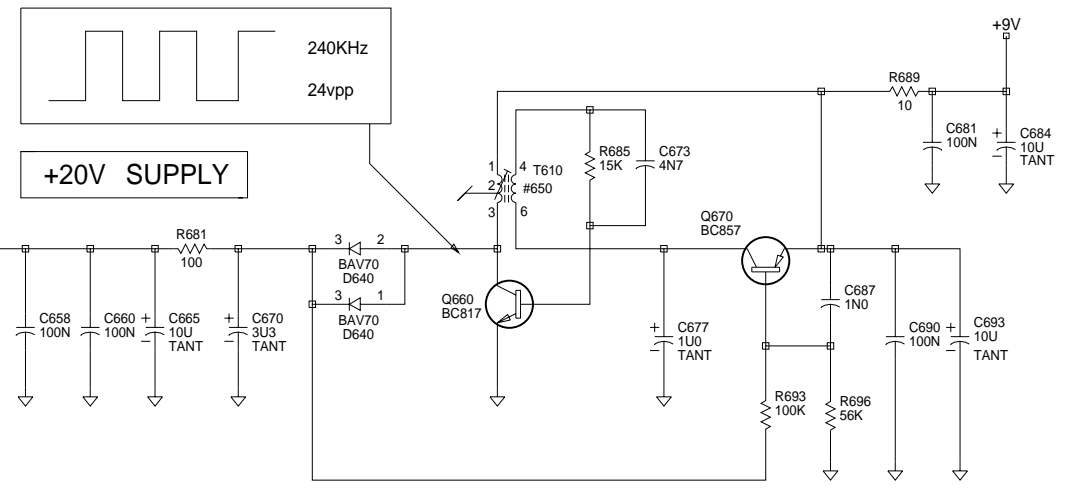


CAN TO SHIELD T610



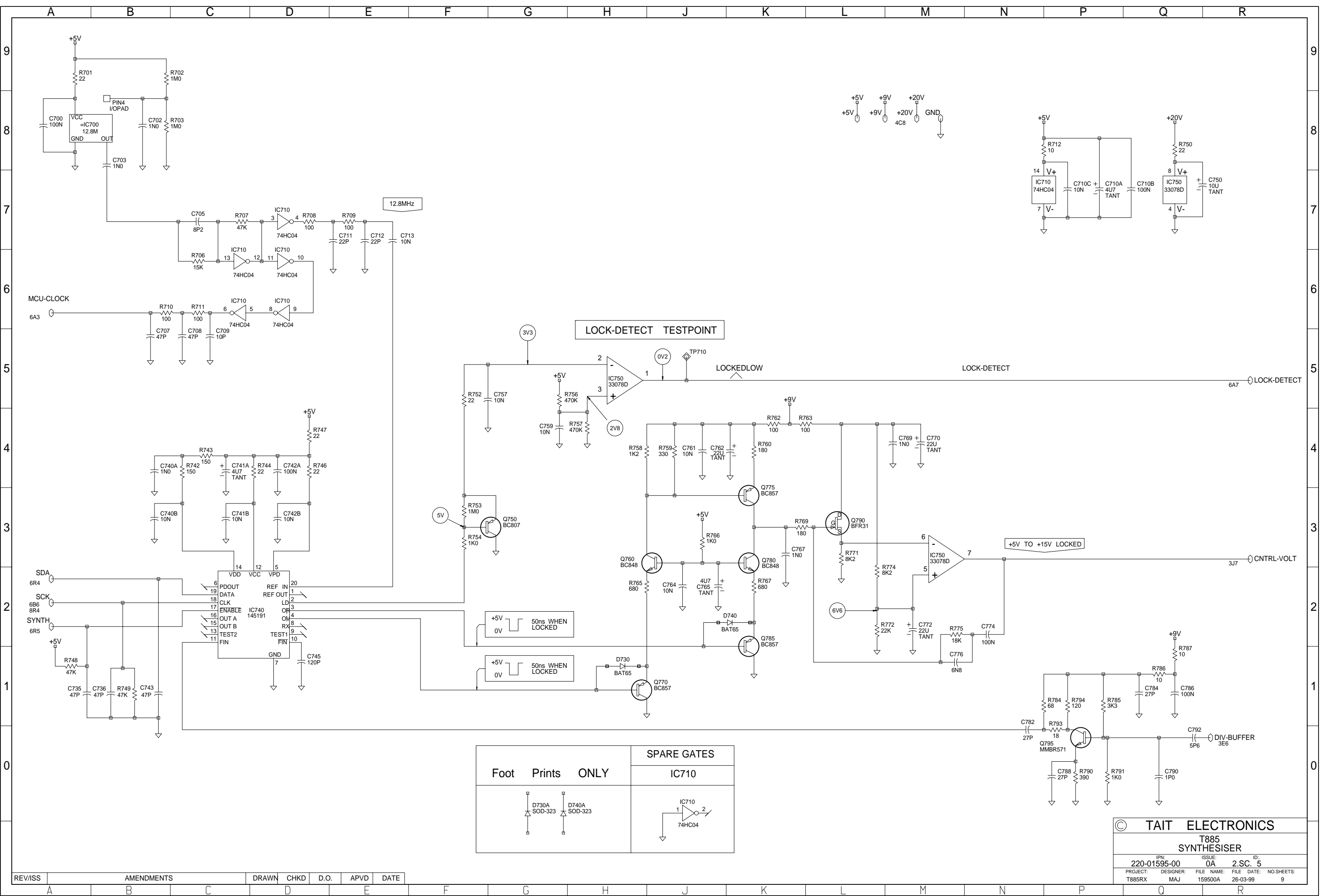
+20V TESTPOINT

+20V SUPPLY



© TAIT ELECTRONICS			
T885 REGULATOR			
IPN: 220-01595-00	ISSUE: 0A	ID: 2.S.C. 4	
PROJECT: T885RX	DESIGNER: MAJ	FILE NAME: 159500A	FILE DATE: 26-03-99
NO. SHEETS: 9			

REV/ISS	AMENDMENTS	DRAWN	CHKD	D.O.	APVD	DATE

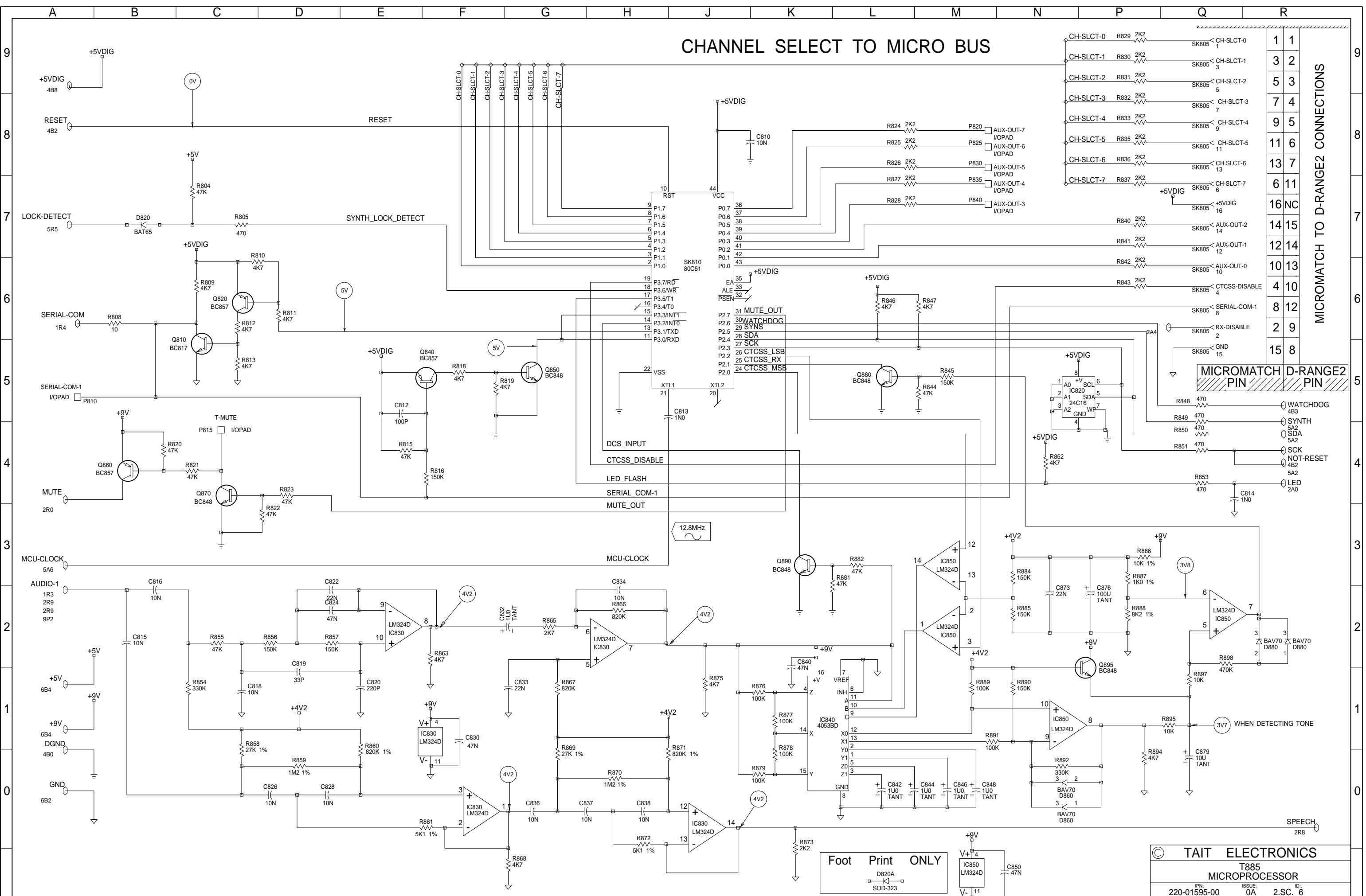


Foot Prints ONLY			SPARE GATES	
			IC710	

© TAIT ELECTRONICS  
**T885 SYNTHESISER**  
 IPN: 220-01595-00    ISSUE: 0A    ID: 2.S.C. 5  
 PROJECT: T885RX    DESIGNER: MAJ    FILE NAME: 159500A    FILE DATE: 26-03-99    NO.SHEETS: 9

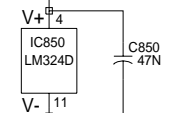
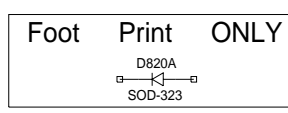
REV/ISS	AMENDMENTS	DRAWN	CHKD	D.O.	APVD	DATE
A						

# CHANNEL SELECT TO MICRO BUS



1	1
3	2
5	3
7	4
9	5
11	6
13	7
6	11
16	NC
14	15
12	14
10	13
4	10
8	12
2	9
15	8

MICROMATCH D-RANGE2 PIN

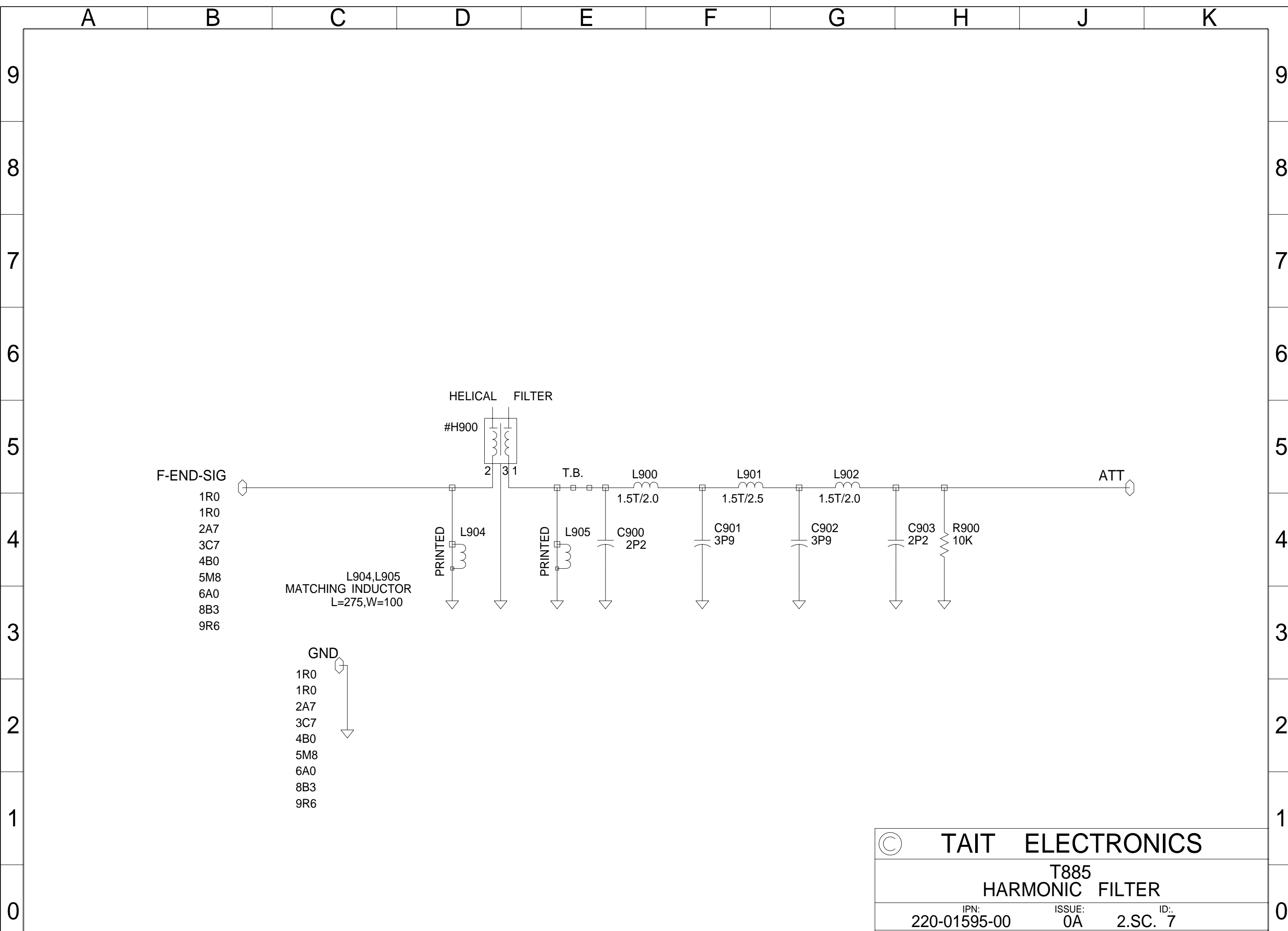


© TAIT ELECTRONICS

T885 MICROPROCESSOR

IPN: 220-01595-00	ISSUE: 0A	ID: 2.S.C. 6
PROJECT: T885RX	DESIGNER: MAJ	FILE NAME: 159500A
DATE: 26-03-99	NO. SHEETS: 9	

REV/ISS	AMENDMENTS	DRAWN	CHKD	D.O.	APVD	DATE
A						



F-END-SIG  
 1R0  
 1R0  
 2A7  
 3C7  
 4B0  
 5M8  
 6A0  
 8B3  
 9R6

L904, L905  
 MATCHING INDUCTOR  
 L=275, W=100

GND  
 1R0  
 1R0  
 2A7  
 3C7  
 4B0  
 5M8  
 6A0  
 8B3  
 9R6

HELICAL FILTER

#H900  
 2 3 1

T.B.

L900

L901

L902

ATT

1.5T/2.0

1.5T/2.5

1.5T/2.0

PRINTED L904

PRINTED L905

C900 2P2

C901 3P9

C902 3P9

C903 2P2

R900 10K

© TAIT ELECTRONICS				
T885 HARMONIC FILTER				
IPN: 220-01595-00		ISSUE: 0A		ID:. 2.SC. 7
PROJECT: T885RX	DESIGNER: MAJ	FILE NAME: 159500A	FILE DATE: 26-03-99	NO.SHEETS: 9

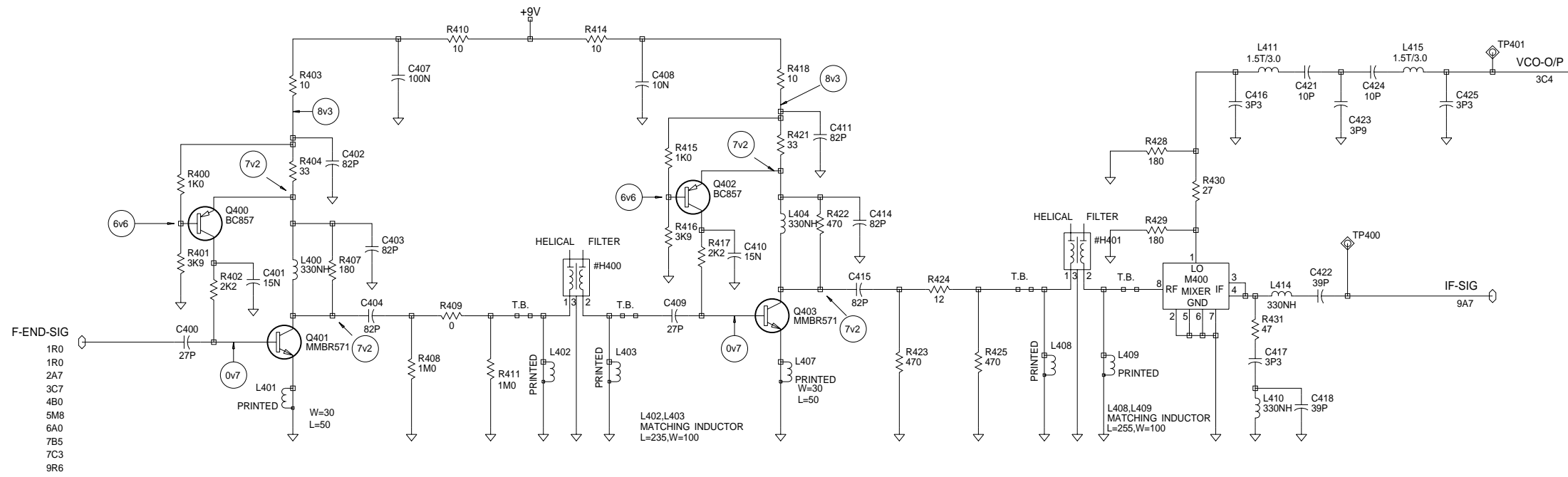
REV/ISS	AMENDMENTS	DRAWN	CHKD	D.O.	APVD	DATE
---------	------------	-------	------	------	------	------

A B C D E F G H J K

9  
8  
7  
6  
5  
4  
3  
2  
1  
0

9  
8  
7  
6  
5  
4  
3  
2  
1  
0

+9V	GND
2A8	1R0
3C8	1R0
4B8	2A7
5M8	3C7
6A1	4B0
9Q6	5M8
	6A0
	7B5
	7C3
	9R6

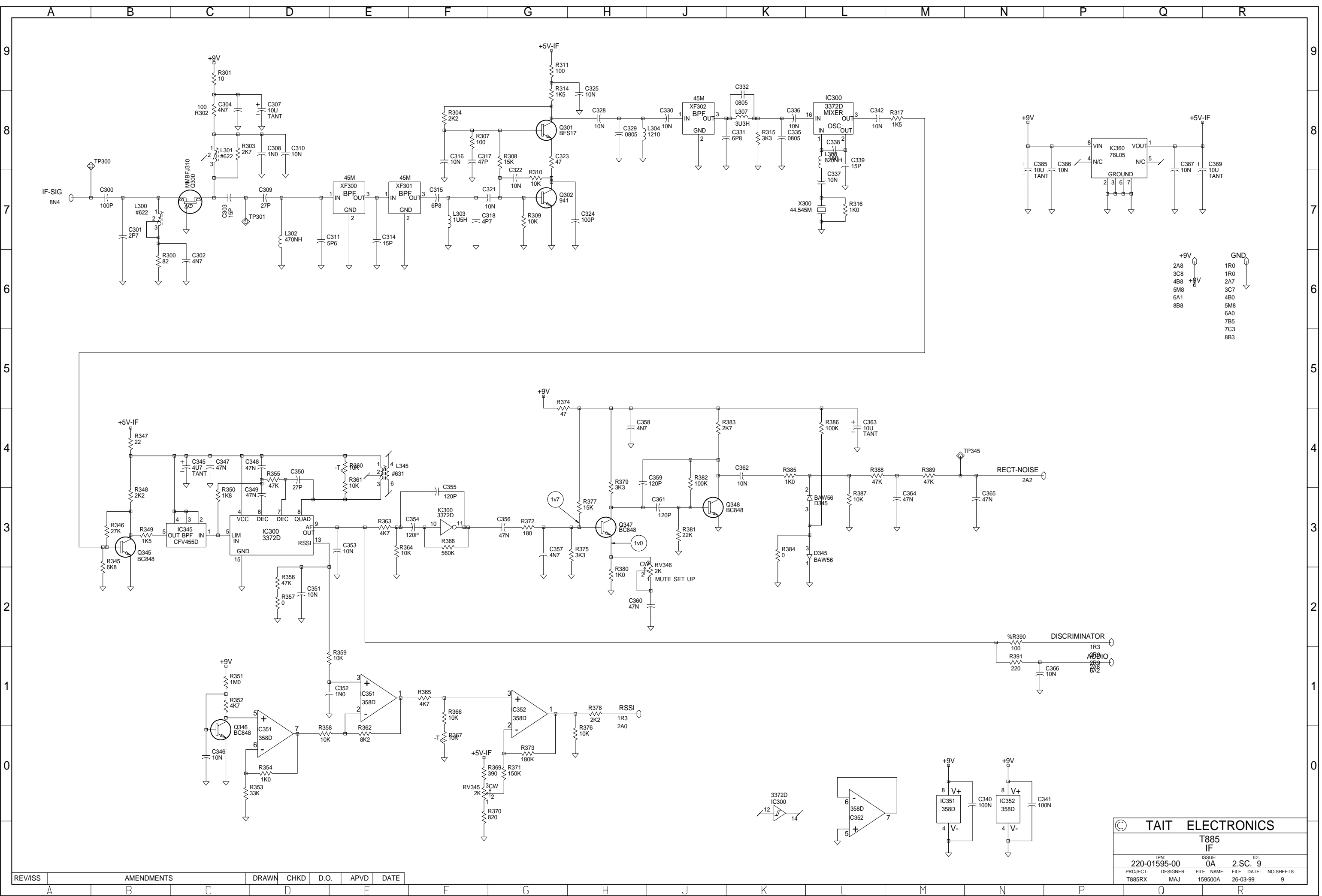


© TAIT ELECTRONICS			
T885 FRONT END			
IPN: 220-01595-00	ISSUE: 0A	ID: 2.S.C. 8	
PROJECT: T885RX	DESIGNER: MAJ	FILE NAME: 159500A	FILE DATE: 26-03-99
			NO. SHEETS: 9

REV/ISS	AMENDMENTS	DRAWN	CHKD	D.O.	APVD	DATE
A						

A B C D E F G H J K L M N P Q R





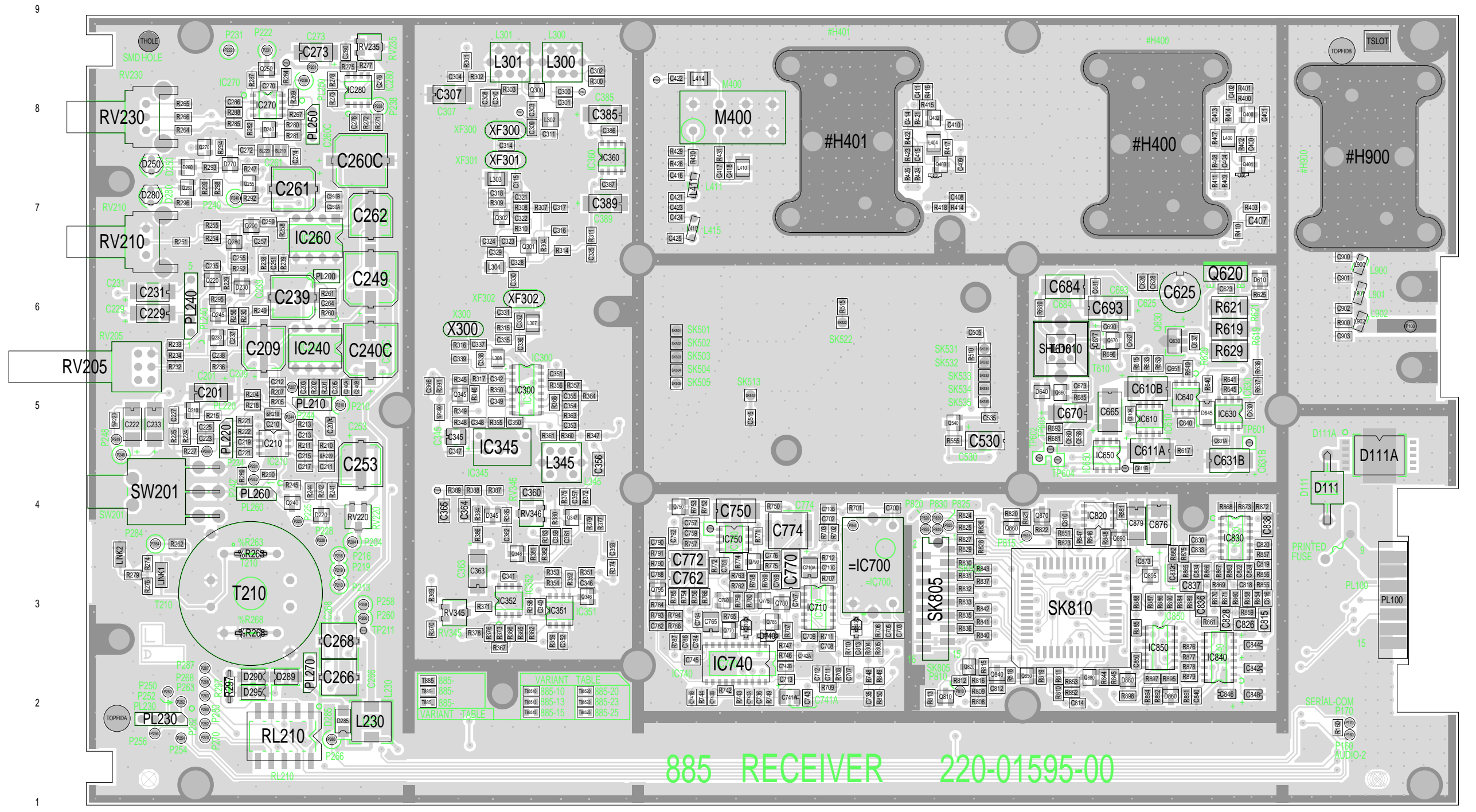
- +9V
- 2A8
- 3C8
- 4B8
- 5M8
- 6A1
- 8B8
- GND
- 1R0
- 1R0
- 2A7
- 3C7
- 4B0
- 5M8
- 6A0
- 7B5
- 7C3
- 8B3

REV/ISS	AMENDMENTS	DRAWN	CHKD	D.O.	APVD	DATE
A						

© TAIT ELECTRONICS

T885  
IF

IPN: 220-01595-00	ISSUE: 0A	ID: 2.S.C. 9
PROJECT: T885RX	DESIGNER: MAJ	FILE NAME: 159500A
	FILE DATE: 26-03-99	NO.SHEETS: 9

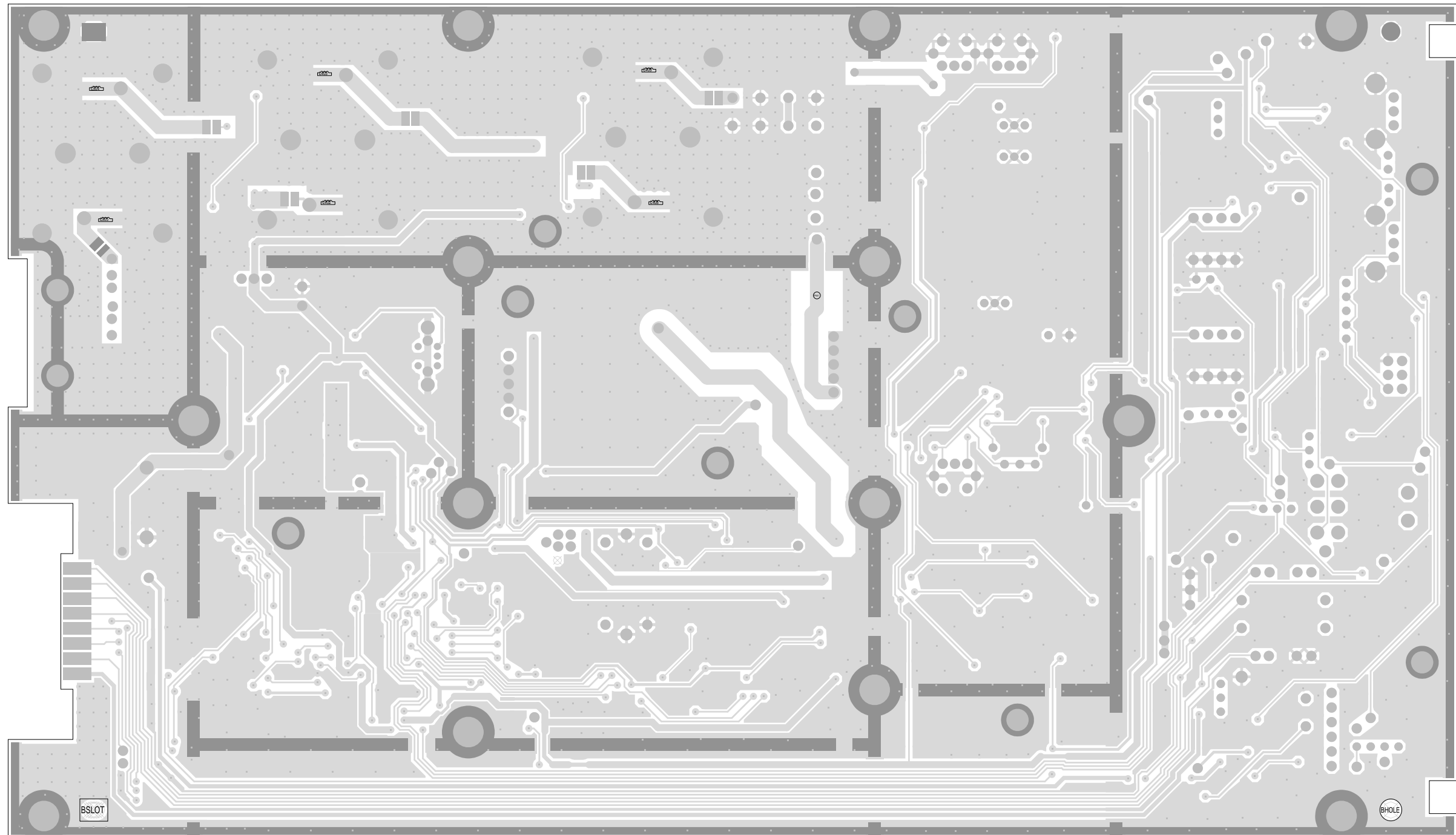


885 RECEIVER 220-01595-00

A B C D E F G H J K L M N P Q

TAIT ELECTRONICS IPN: 220-01595-00 ISS: -00 ID: 1.TA DATE: 12 Apr 1999  
 885 RECEIVER PCB LAYOUT - TOP SIDE

Scale: 1:2.1 ; Rotation: 0 degrees



Q P N M L K J H G F E D C B A

9  
8  
7  
6  
5  
4  
3  
2  
1

TAIT ELECTRONICS	IPN: 220-01595-00	ISS: -00	ID: 2.BA	DATE: 12 Apr 1999
885 RECEIVER PCB LAYOUT - BOTTOM SIDE				

Scale: 1.2:1 ; Rotation: 0 degrees